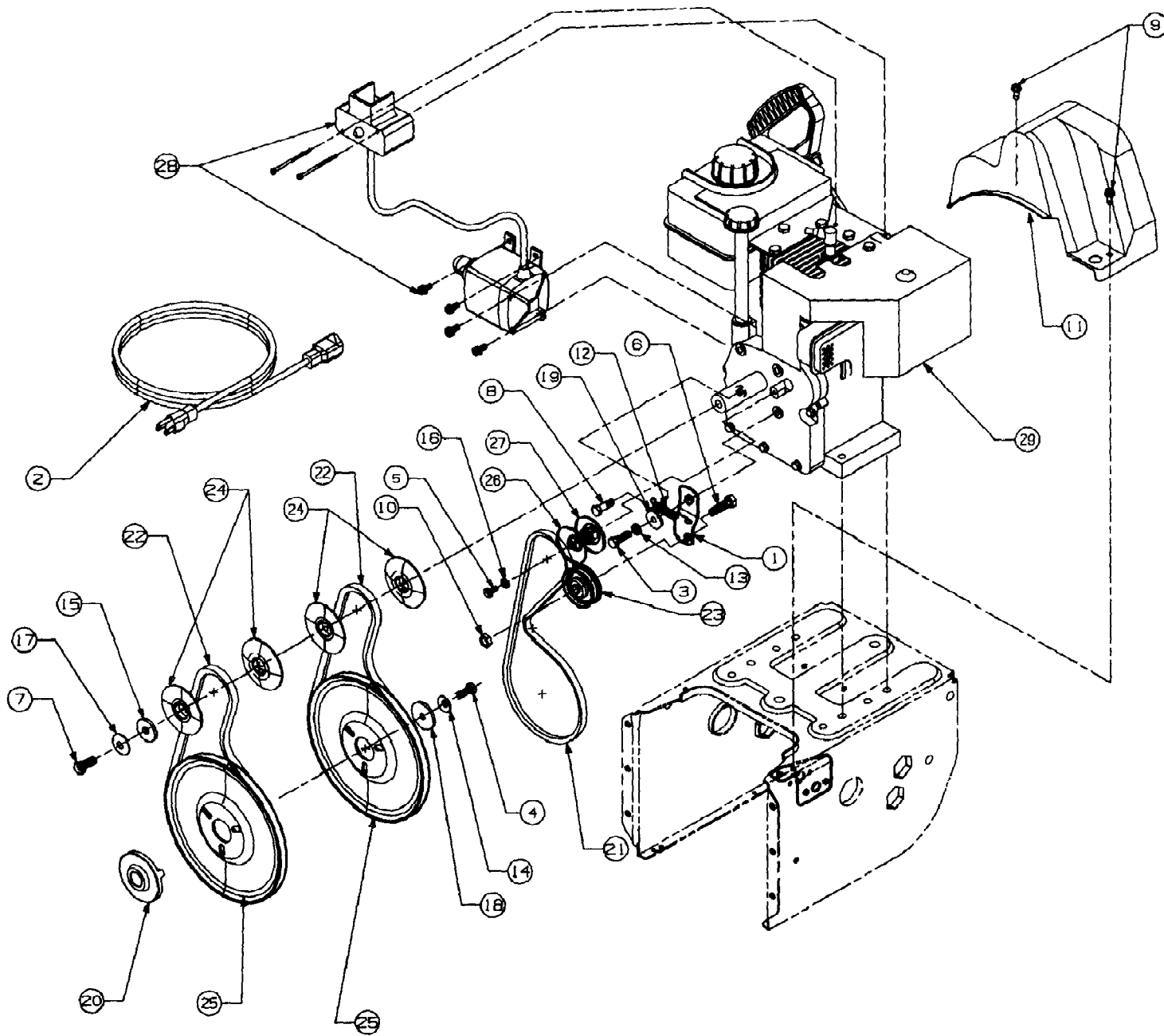


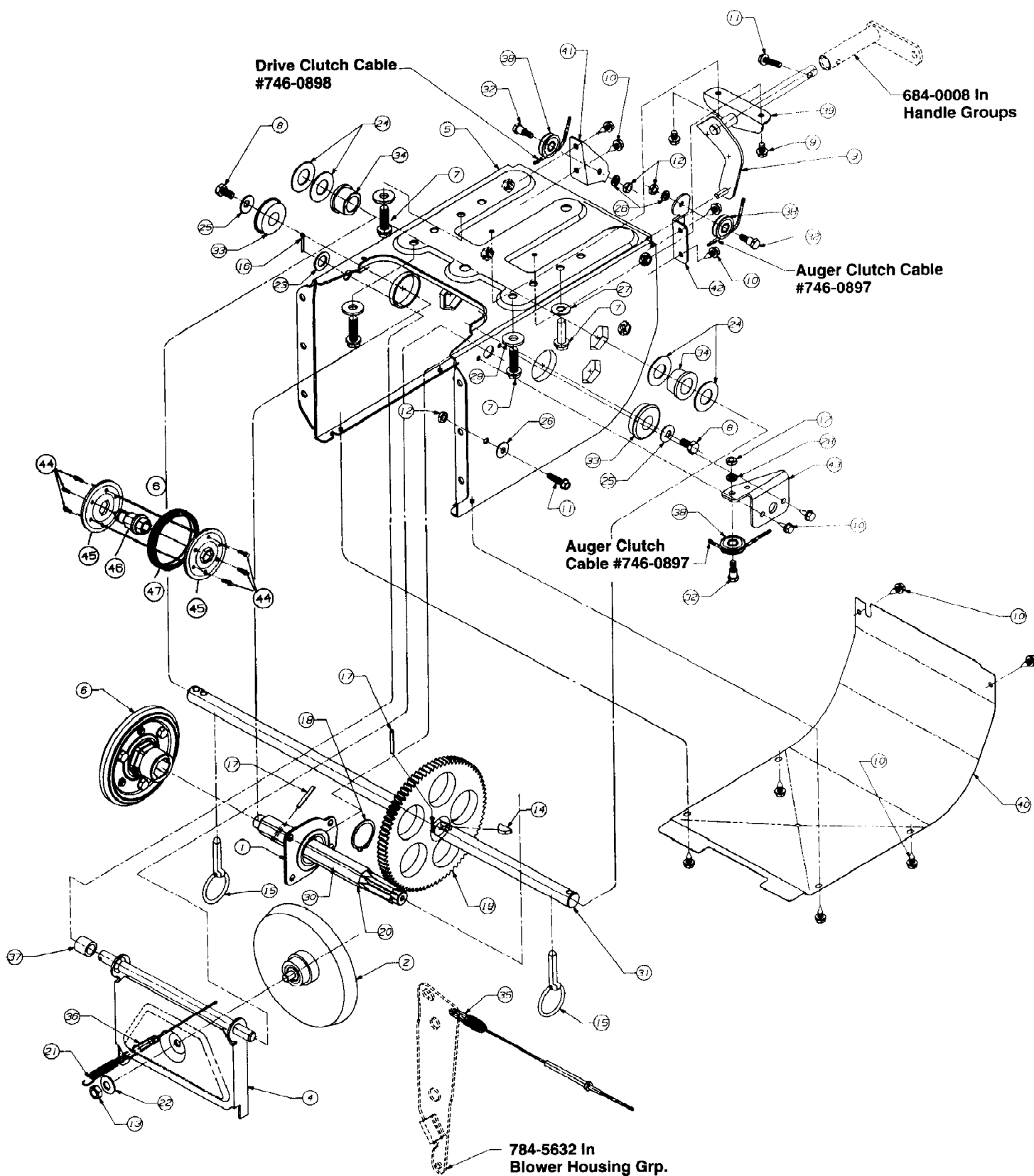
316E646-190 Snow Boss 850 (1996)
Engine, Starter, V-Belt And Pulley



316E646-190 Snow Boss 850 (1996)
 Engine, Starter, V-Belt And Pulley

Page 2 of 14

Ref #	Part Number	Qty	S/P/F	Description
1	05896A	1		Bracket
2	629-0071	1	S	Cord, Extension
3	710-0117	1	S	Screw
4	710-0157	1	/P	Screw
5	710-0230	1	/P	Screw
6	710-0342	1	S	Screw
7	710-0696	1	/P	Screw
8	710-0888	1	/P	Screw
9	710-0896	2	/P	Screw
10	712-0181	1	S	Nut, Hex
11	731-1324	1		Belt Cover
12	732-0710	1	S	Spring
13	736-0119	1	S	Washer - Flat
14	736-0242	1	/P	Washer - Bell
15	736-0247	1	/P	Washer - Flat
16	736-0329	1	S	Washer - Lock
17	736-0331	1	/P	Washer - Bell
18	736-0505	1		Washer - Flat
19	748-0234	1	/P	Shoulder Spacer
20	748-0360	1	S	Pulley, Adapter
21	754-0346	1	S	V-Belt
22	754-0430	2	S	V-Belt Matched
23	756-0313	1	/P	Idler, Flat
24	756-0569	4		Pulley, Half
25	756-0967	2		Pulley - Auger
26	756-0986	1		Pulley Half
27	756-0987	1	S	Pulley Half
28	390-987-000	1	S	Starter
29		1		Engine



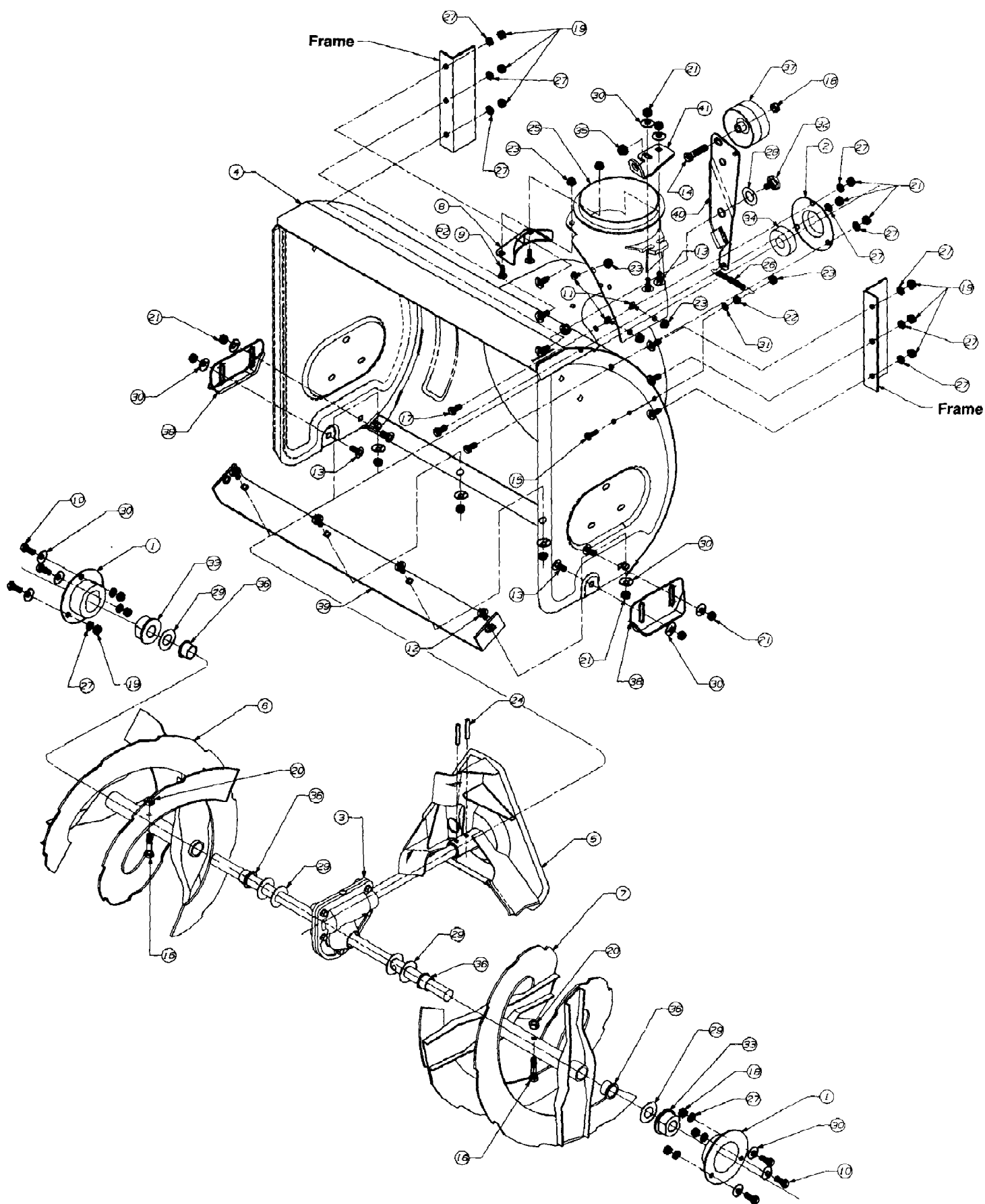
316E646-190 Snow Boss 850 (1996)
Frame Assembly

Page 4 of 14

Ref #	Part Number	Qty	S/P/F	Description
1	618-0063	1		Bearing Ass'y.
2	656-0009	1	S	Ass'y., Friction Wheel Disc
3	684-0013	1		Rod Shift, Wheel Drive
4	684-0021	1	S	Brkt. Ass'y. Friction Wheel
5	684-0030	1		Frame Ass'y., 600 S/T
6	684-0042	1	S	Wheel Friction
7	710-0502A	4	/P	Hex Self-Tap Screw
8	710-0538	2	/P	Hex, Screw
9	710-0653	2	/P	Scr., Hex Wash. Hd., TT 1/4-20 x .3
10	710-0776A	12	S	Hex Self-Tap Scr.
11	710-0788	2	/P	Screw, Hex
12	712-0298	4	S	Nut, Hex
13	712-0711	1	/P	Nut, Hex
14	714-0126	1	S	Key
15	714-0143	2	S	Pin, Klick
16	714-0474	1	S	Pin, Cotter
17	715-0249	2	S	Pin, Roll
18	716-0185	1		Ring, Retainer
19	717-1414	1		Gear
20	717-1415A	1		Shaft, Hex
21	732-0264	1	S	Extension Spring
22	736-0105	2	/P	Washer, Bell
23	736-0160	1	S	Flat Washer
24	736-0188	4	/P	Washer, Flat
25	736-0242	2	/P	Washer, Bell
26	736-0270	1	/P	Washer, Bell
27	736-0300	1	S	Flat Washer
28	736-0329	3	S	Washer, Lock
29	736-3052	3	/P	Washer, Flat
30		1		Lubricant
31	738-0869	1		Axle Used with 13" Wheels (For model 616E)
31	738-0830	1		Axle Used with 16" Wheels (For model 646F, E666H)
32	738-0870	3		Screw, Shoulder
33	741-0563	2	S	Bearing, Ball
34	741-0598	2	S	Flange Bearing
35	746-0897	1	S	Cable, Auger
36	746-0898	1	S	Cable, Clutch
37	748-0190	1	/P	Spacer
38	756-0625	3		Roller, Cable
39	784-5590	1		Frame, Shift Bracket
40	784-5638	1		Cover, Frame
41	784-5644	1	S	Bracket, Drive Cable Roller
42	784-5646	1		Brkt., Auger Clutch Cable Guide
43	784-5658	1	S	Brkt., Front Support Guide
44	710-0599	6	/P	Hex Wash Hd. TT-Tap Scr. 1/4-20 x .5" Lg.
45	784-5677	1		Friction Plate
46	718-0240	1		Friction Wheel Hub
47	735-0243	1	S	Friction Wheel Rubber
	684-0008	1	S	Handle
	746-0898	1	S	Drive Clutch Cable
	746-0897	1	S	Auger Clutch Cable

316E646-190 Snow Boss 850 (1996)
Frame Assembly

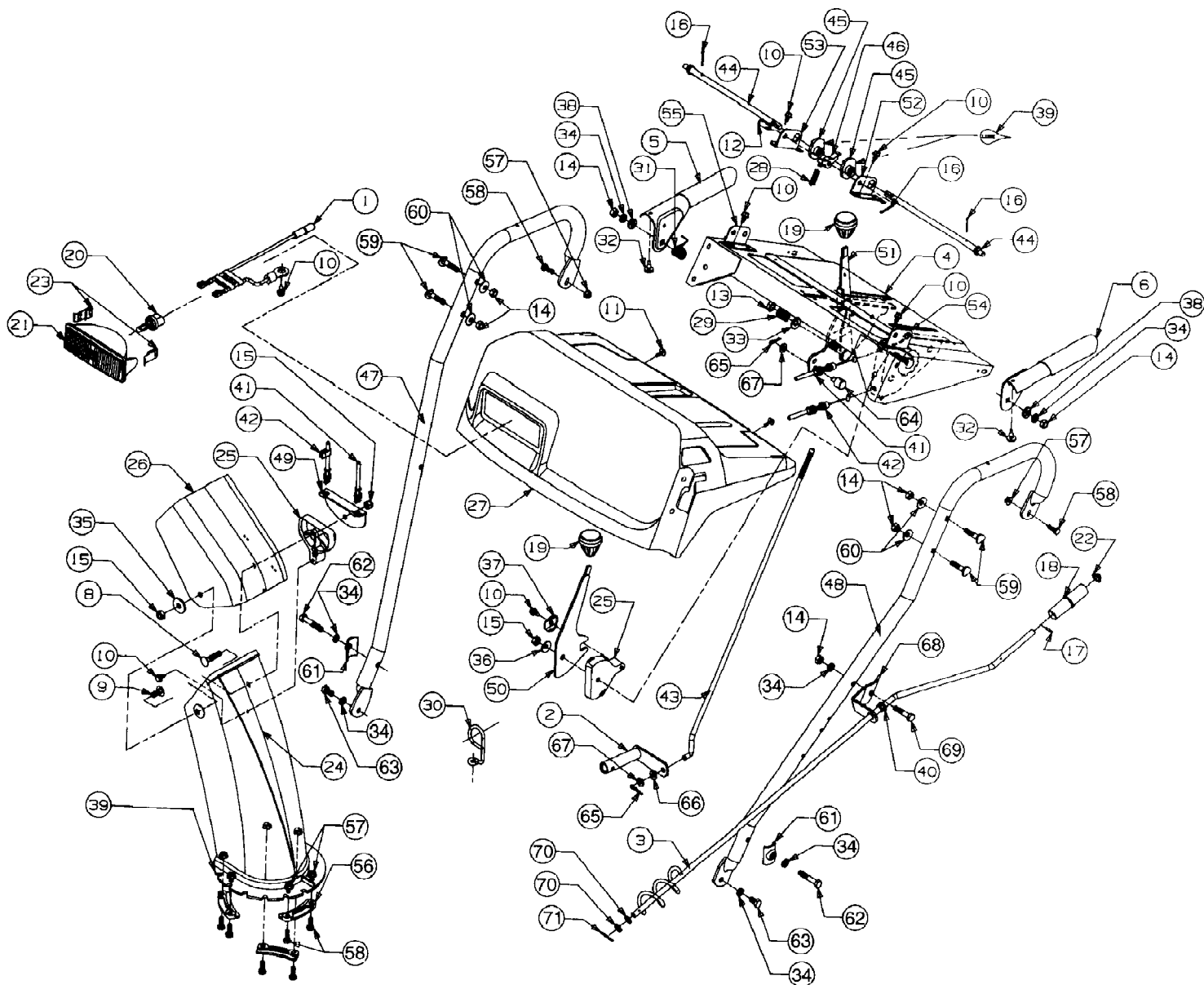
Ref #	Part Number	Qty	S/P/F	Description
	784-5632	1	S	Bracket



316E646-190 Snow Boss 850 (1996)
Gear And Housing Assembly

Page 7 of 14

Ref #	Part Number	Qty	S/P/F	Description
1	784-5618	2	S	Housing, Bearing
2	05931	1	S	Housing, Bearing
3	618-0120	1	S	Gear Assembly (24" Auger)
	618-0121	1	S	Gear Assembly (26" Auger)
	618-0160	1	S	Gear Assembly (30" Auger)
4	684-0039A	1	S	24" Housing Assembly
	684-0040A	1	S	26" Housing Assembly
	684-0055	1		30" Housing Assembly
5	684-0065	1	S	Fan Asm, Blower 12"
6	605-5188	1	S	Spiral, 24" R.H.
	605-5192	1	S	Spiral, 26" R.H.
	605-5248	1	S	Spiral, 30" R.H.
7	605-5189	1	S	Spiral, 24" L.H.
	605-5193	1	S	Spiral, 26" L.H.
	605-5249	1	S	Spiral, 30" L.H.
8	705-5226	1		Reinforcement, Chute 5.0
9	710-0167	2	/P	Bolt, Carriage
10	710-0604	6	S	Screw, Hex
11	710-0167	3	/P	Screw, Carriage
12	710-0451	4	/P	Carriage Bolt
13	710-0451	6	/P	Screw, Carriage
14		1		Welded to Ref. 100, 40
15	710-0812	1		Screw, Hex
16	710-0890A	3	/P	Bolt, Shear
17	710-1087	3	S	Screw, Hex
18	712-0116	6	S	Hex Lock Nut
19	712-0123	12	/P	Hex Nut
20	712-0158	3	S	Nut, Hex Lock
21	712-0267	13	S	Nut, Hex
22	712-0287	1	S	Hex Nut
23	712-3027	6	S	Nut, Lock, Hex, Flanged
24	715-0114	2	S	Spring Pin
25	731-1379	1	S	Adapter, Chute
26	732-0611	1	S	Spring
27	736-0119	15	S	Lock Washer
28	736-0167	1	S	Washer, Flat
29	736-0188	6	/P	Washer, Flat, .76 I.D. x 1.49 O.D. x .06
30	736-0242	16	/P	Washer, Bell
31	736-0329	1	S	Washer, Lock
32	738-0281	1	S	Screw, Shoulder
33	741-0245	2	S	Bearing, Flange
34	741-0309	1	S	Bearing, Bolt
35	741-0475	1	S	Bushing, Plastic
36	741-0493A	4	/P	Bushing, Flange
37	756-0178	1		Idler, Flat
38	784-5580	2		Shoe, Slide
39	784-5581A	1	S	24" Shave Plate
	784-5579A	1	S	26" Shave Plate
	784-5575	1	S	Shave Plate
40	684-0064	1	S	Arm, Auger Idler
41	784-5647	1	S	Bracket, Chute Crank



316E646-190 Snow Boss 850 (1996)
Handle Grip & Chute Crank

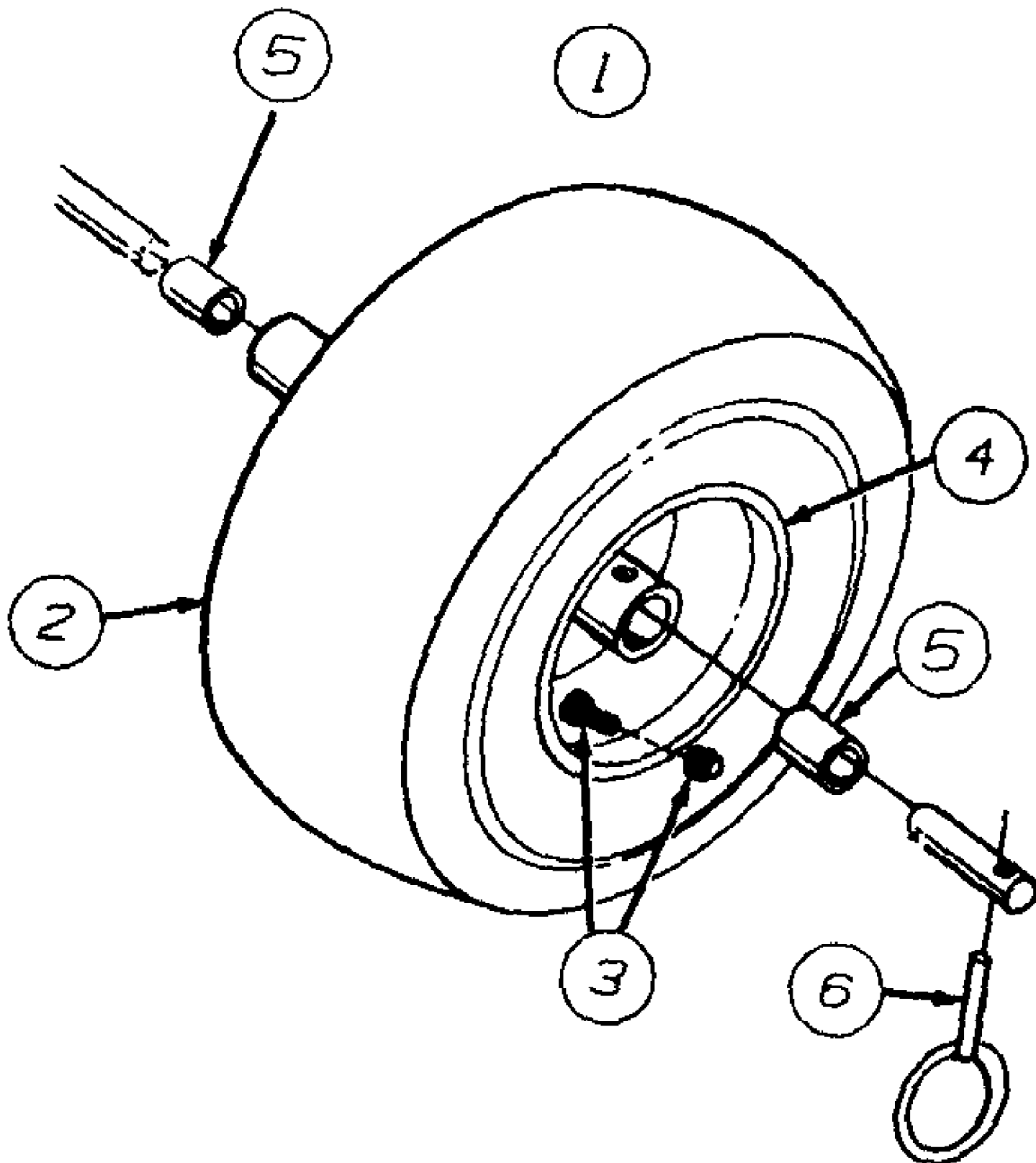
Page 9 of 14

Ref #	Part Number	Qty	S/P/F	Description
1	629-0059	1	S	Harness
2	684-0008	1	S	Arm Shift
3	684-0022	1	S	Crank Chute
4	684-0032A	1		Panel Handle w/Tilt
5	684-0036	1	S	Handle, Engagement - R.H.
6	684-0037	1	S	Handle, Engagement - L.H.
8	710-0262	1	/P	Bolt - Carriage
9	710-0451	1	/P	Bolt - Carriage
10	710-0896	7	/P	Screw
11	710-1003	2	/P	Screw
12	711-0653	1	/P	Pin, Clevis
13	712-0116	1	S	Nut, Hex Lock
14	712-0267	7	S	Nut, Hex
15	712-3068	3	S	Nut, Hex Lock
16	714-0507	3	S	Pin, Cotter
17	715-0138	1	S	Roll Pin
18	720-0201A	1	/P	Knob, Chute Crank
19	720-0232	2	S	Knob, Shift
20	725-1658	1	S	Lamp, Halogen
21	725-1672	1	S	Housing, Lamp, Lens
22	726-0100	1	S	Cap, Push
23	726-0321A	2	S	Clip, Retaining
24	731-1300A	1	S	Lower Chute
25	731-1313	2	S	Cable Guide
26	731-1320	1	S	Chute, Upper
27	731-1578	1		Panel Handle
28	732-0145	1	/P	Spring
29	732-0193	1	/P	Spring
30	732-0705	1		Cable Control Wire
31	732-0746	1		Spring
32	735-0199A	2	S	Bumper
33	736-0105	1	/P	Washer - Bell
34	736-0119	2	S	Washer - Lock
35	736-0231	1	S	Washer
36	736-0242	1	/P	Washer - Bell
37	736-0506	1	S	Washer
38	736-0509	2		Washer
39	737-0133	1	S	Grease
40	741-0475	1	S	Bushing, Plastic
41	746-0896	1	S	Cable, Chute Control
42	746-0901	1	S	Cable, Chute Deflector
43	747-0798A	1	/P	Rod, Shift
44	747-0877	2		Rod, Cam
45	748-0362	2		Cam Handle Lock
46	748-0363	1	S	Pawl Handle Lock
47	749-0908A	1	S	Handle - R.H.
48	749-0909	1	S	Handle - L.H.
49	784-5594	1		Bracket - Cable
50	784-5604	1	S	Handle - Shift Chute
51	784-5619	1	S	Handle - Shift
52	784-5679	1	S	Bracket, Handle Support - L.H.
53	784-5680	1	S	Bracket, Handle Support - R.H.
54	784-5681	1	/P	Bracket, Handle Support - L.H.

316E646-190 Snow Boss 850 (1996)
Handle Grip & Chute Crank

Page 10 of 14

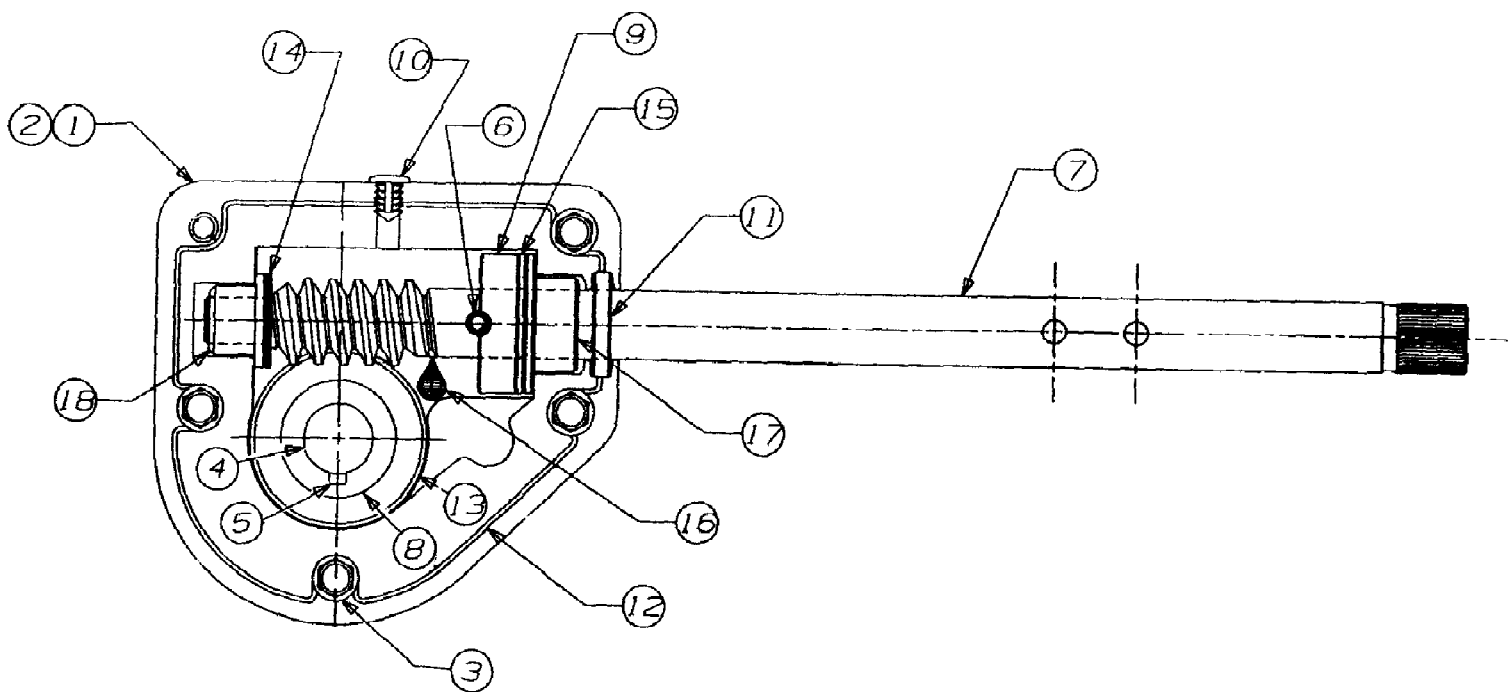
Ref #	Part Number	Qty	S/P/F	Description
55	784-5682	1	S	Bracket, Handle Support - R.H.
56	731-0851A	1	/P	Chute Flange Keepers
57	712-3027	8	S	Hex L-Nut 1/4-20 Thd.
58	710-0851	8		Hex Bolt 1/4-20 x 3/4" Lg.
59	712-1250	4		Carr. Bolt 5/16-18 x 1.5" Lg.
60	736-0242	4	/P	Bell-Wash. 5/16" I.D.
61	784-5599	2	S	Handle Tab
62	710-3180	2	/P	Hex Bolt 5/16-18 x 1.75" Lg.
63	710-0538	2	/P	Hex Bolt 5/16-18 x 5/8" Lg.
64	711-0677	1	S	Ferrule
65	714-0104	2	S	Hairpin Clip
66	736-0271	1	S	Spr. Wash. 5/16" I.D.
67	736-0264	2	S	FI-Wash. 5/16" I.D.
68	784-5678	1		Upper Chute Crank Brkt.
69	710-0442	1	S	Hex Bolt 5/16-18 x 1.5" Lg.
70	736-0140	2	S	FI-Wash. 3/8" I.D.
71	714-0507	1	S	Cotter Pin



316E646-190 Snow Boss 850 (1996)
Wheel Assemblies

Page 12 of 14

Ref #	Part Number	Qty	S/P/F	Description
1	734-1714	1		Wheel Assembly Complete - 13 x 5 For model 616E
	734-1709	1		Wheel Assembly Complete - 16 x 4.8 For model 646F
	734-1712	1		Wheel Assembly Complete - 16 x 6.5 For model E666H
2	734-1527	1		Tire Only - 13 x 5 For model 616E
	734-1530	1		Tire Only - 16 x 4.8 For model 646F
	734-1525	1		Tire Only - 16 x 6.5 For model E666H
3	734-0255	1	S	Air Valve For models 616E, 646F & E666H
4	734-1713	1		Rim Only - 13 x 5 For model 616E
	734-1708	1	S	Rim Only - 16 x 4.8 For model 646F
	734-1711	1		Rim Only - 16 x 6.5 For model E666H
5	741-0401	2	S	Sleeve Bearing For models 616E, 646F & E666H
6	714-0143	1	S	Klick Pin For models 616E, 646F & E666H



316E646-190 Snow Boss 850 (1996)
Worm Gear And Shaft

Page 14 of 14

Ref #	Part Number	Qty	S/P/F	Description
1	618-0123	1	S	Housing - R.H.
2	618-0124	1	S	Housing - L.H.
3	710-0642	5	/P	Screw
4	711-1024	1	S	Axle, Spiral 30" (E666H)
4	711-0909	1	S	Axle, Spiral 26" (E646F)
4	711-0908	1	S	Axle, Spiral 24" (616E)
5	714-0161	1	S	Key, Hi-Pro
6	715-0143	1	S	Pin, Spiral
7	717-0526	1		Worm, Shaft
8	717-0528	1	S	Gear, Worm
9	718-0186	1		Collar, Thrust
10	721-0325	1		Plug
11	721-0327	1		Seal, Oil
12	721-0328	.45		Loctite 5699
13	736-0351	2	S	Washer - Flat
14	736-0369	4	S	Washer - Flat
15	736-0445	1	S	Washer - Flat
16	737-0168	1	S	Grease
17	741-0376	1	S	Bearing Flange
18	748-0108	1	S	Bearing Flange